


**Table of Contents**

1	TITLE PAGE
2	BLOCK DIAGRAM
3	K64F MCU
4	OpenSDA INTERFACE
5	ARDUINO SHIELDS & COMBO SENSOR
6	SD CARD / RF - WIFI / BLUETOOTH
7	RMI

**Revisions & Change Log**

Rev	Description	Date	Approved
X1	Initial Draft	Oct 18	Chung
X2	Feedbacks Implemented	Oct 22	Chung
X3	Feedbacks from Chung Implemented	Oct 23	Chung
X4	Components changed as per the feedbacks	Oct 24	Chung
X5	RF and Bluetooth headers added	Oct 28	Chung
X6	Arduino connections added	Nov 1	Chung
X7	Net review and fix	Nov 3	Chung
A	Release to production, prototype build	Nov 8	Chung
A1	openSDA reset capacitor fix	Nov 22	del Rey
B	Release to production, production build	Jan 20	Chung
C	Release to production, production build	Feb 06	Chung
D	Fixing I2C swap to headers	Feb 26	Chung
D1	Enhancing USB PWR input filter for robustness	Mar 18	Chung
E	Swapping J2.2 connection to PTC12 Fix Eth Link status when 2 FRDMs are connector to each other	Jul 11	Chung
E1	Updating J13 Ethernet connector part	Sep 03	Chung
E2	Depopulating J14	Sep 10	Chung
E3	Depopulating C55, populating R75	Oct 14	Chung

# FREEDOM K64F

		<b>Automotive, Industrial &amp; Multi-Market Solutions Group</b> <small>6501 William Cannon Drive West Austin, TX 78735-6598</small>	
ICAP Classification: FCP: FLUQ: PUB: X			
Designer: Rafael del Rey	Drawing Title: <b>FRDM-K64F</b>		
Drawn by: Sudhasha(LnT)	Page Title: <b>TITLE PAGE</b>		
Approved: Chung	Size C	Document Number SCH-28163   PDF: SPF-28163	Rev E3
Date: Friday, October 17, 2014			
		Sheet 1 of 7	

1. Unless Otherwise Specified:

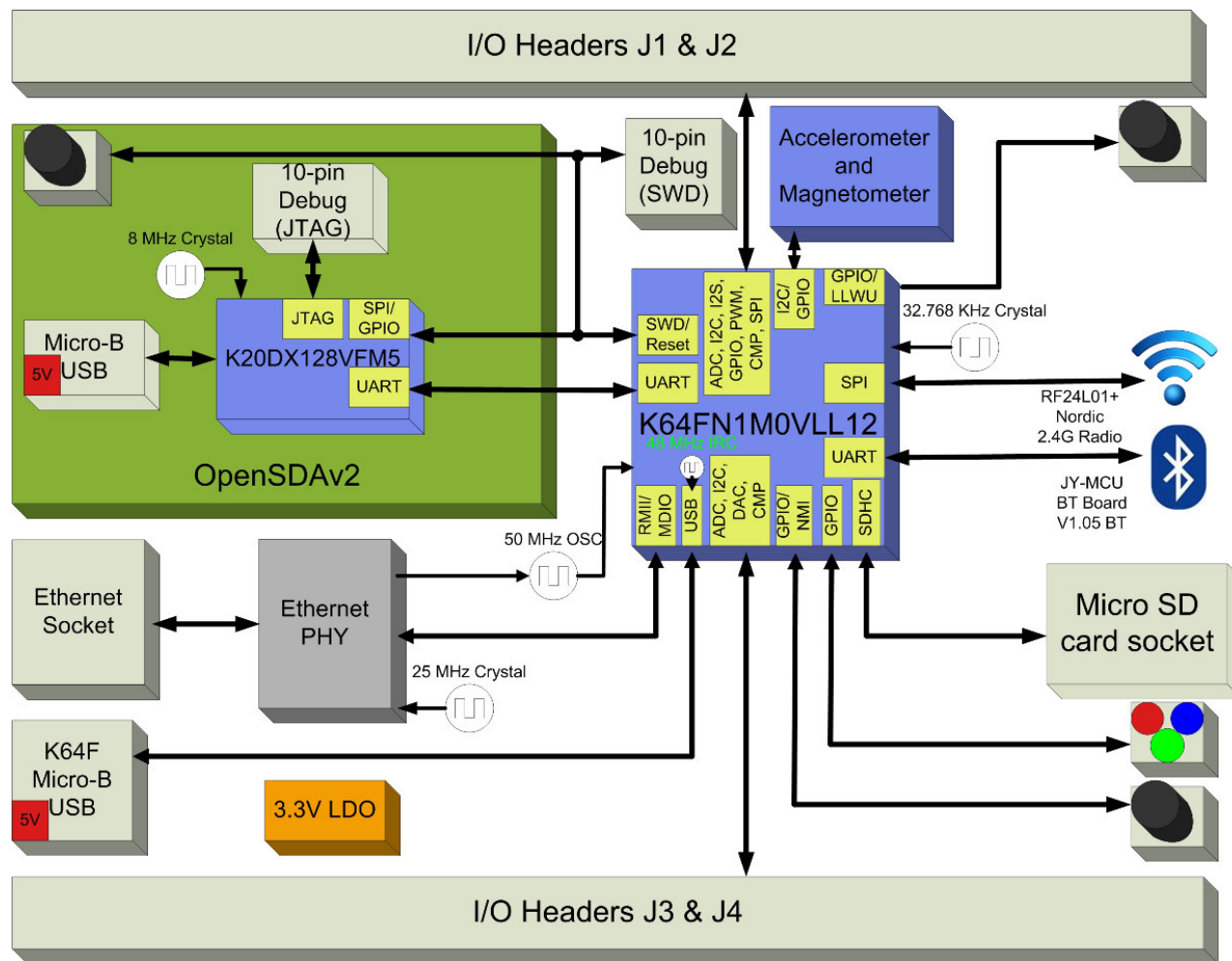
All resistors are in ohms, most are 1%, 1/10 Watt. Otherwise are 5%, 1/8 Watt.  
All capacitors are in uF, some are 10% or 20%  
All voltages are DC  
All polarized capacitors are tantalum

2. Interrupted lines coded with the same letter or letter combinations are electrically connected.

3. Device type number is for reference only. The number varies with the manufacturer.

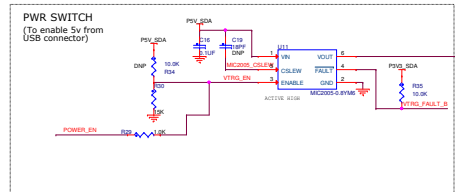
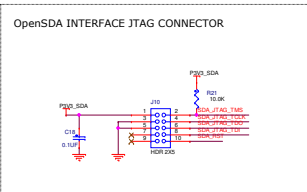
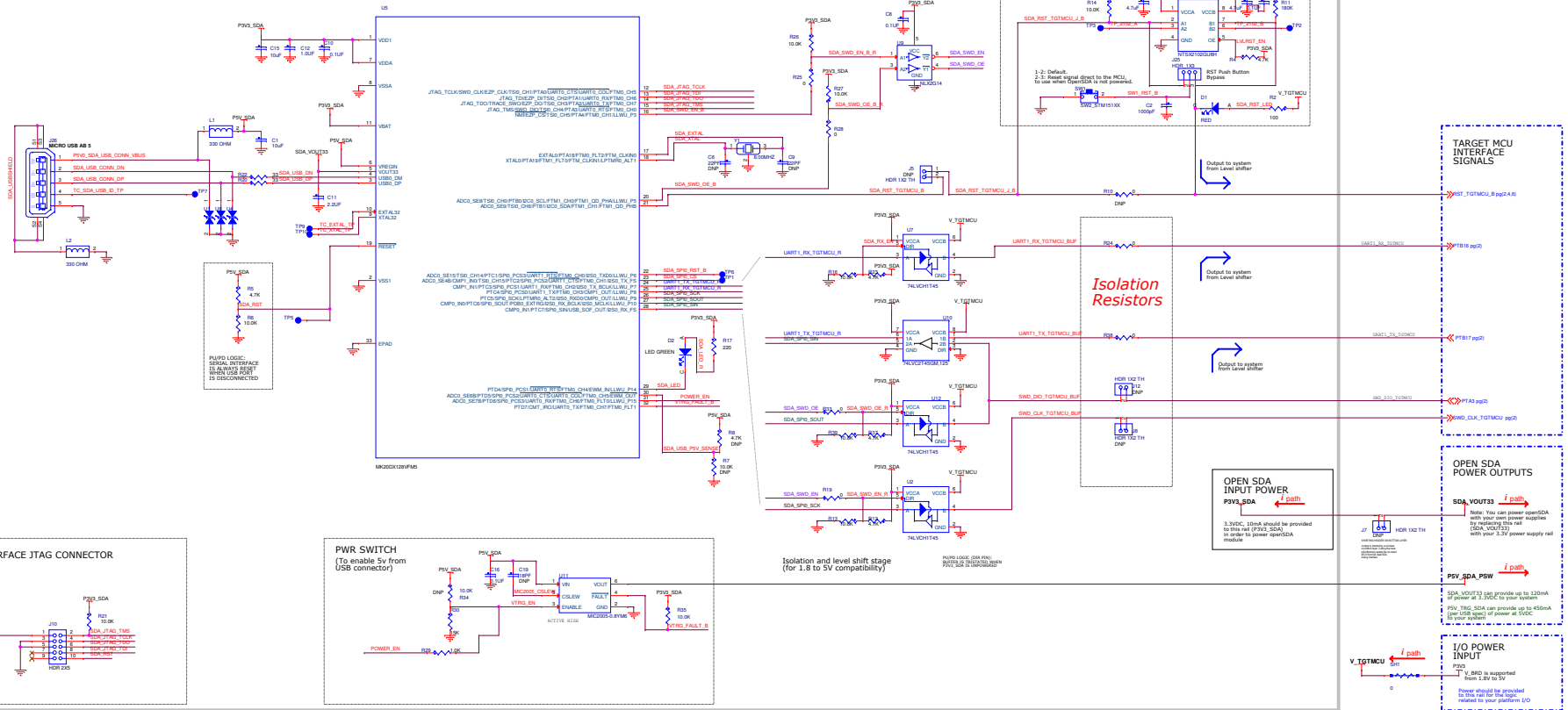
4. Special signal usage:  
\_B Denotes - Active-Low Signal  
<> or [] Denotes - Vectored Signals

5. Interpret diagram in accordance with American National Standards Institute specifications, current revision, with the exception of logic block symbology.

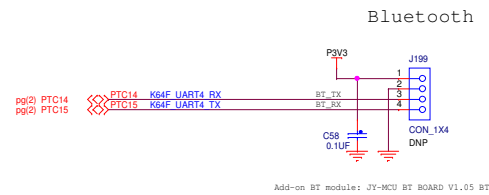
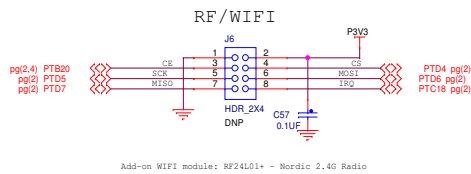
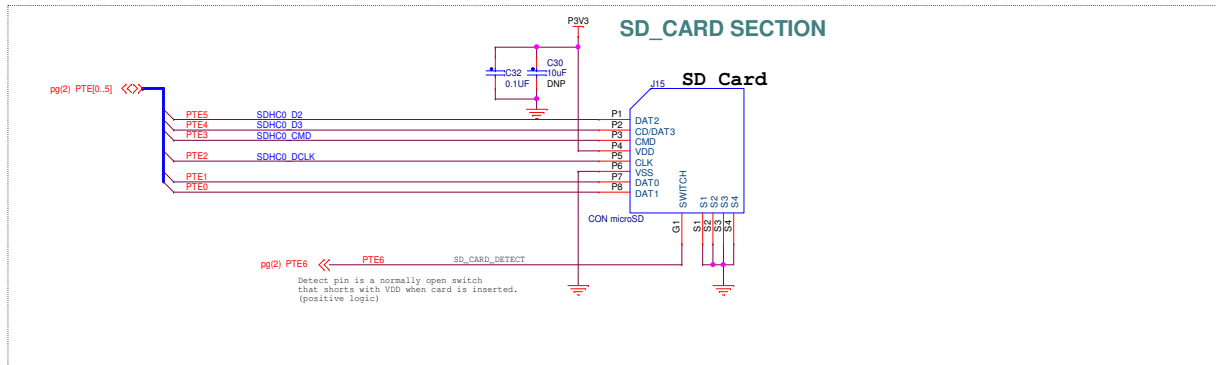




# OpenSDA Interface







ICAP Classification: FCP: _____ FIUO: _____ PUB: X	
Drawing Title: <b>FRDM-K64F</b>	
Page Title: <b>SD CARD / RF - WIFI / BLUETOOTH</b>	
Size C	Document Number SCH-28163   PDF: SPF-28163
Date: Friday, October 17, 2014	Rev E3
Sheet 6	of 7

