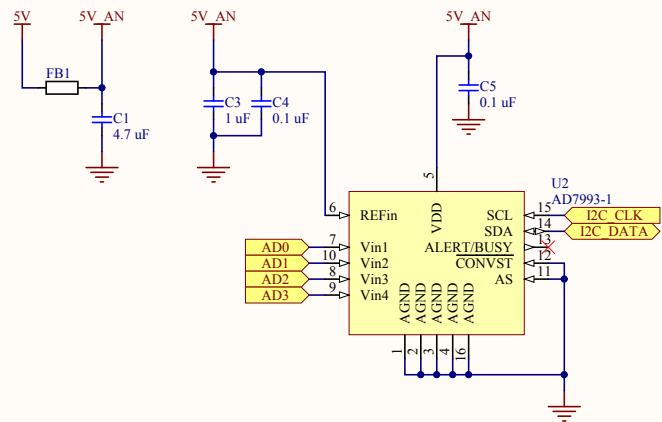
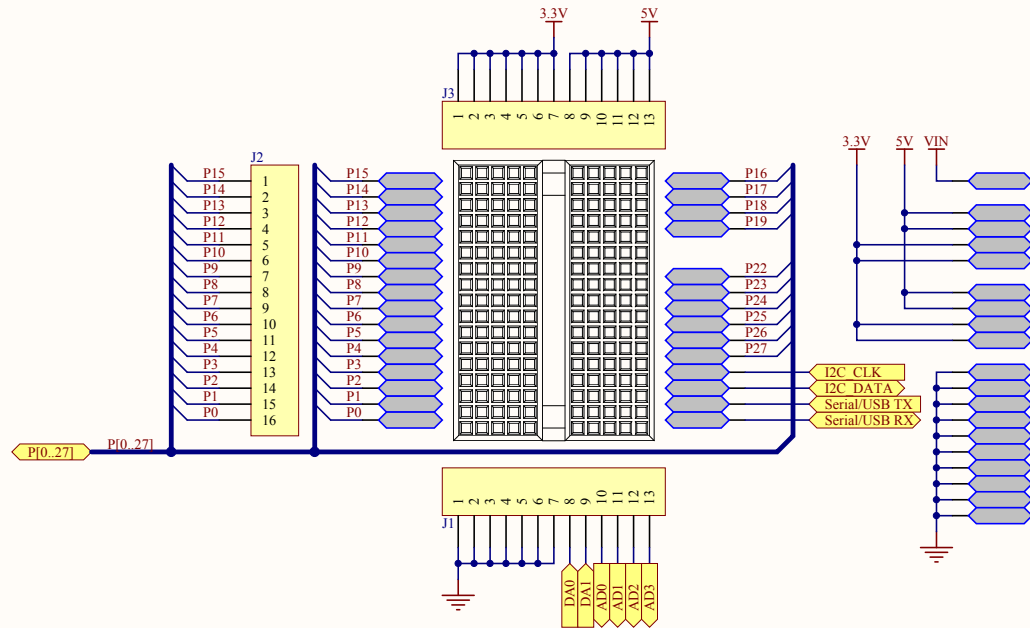


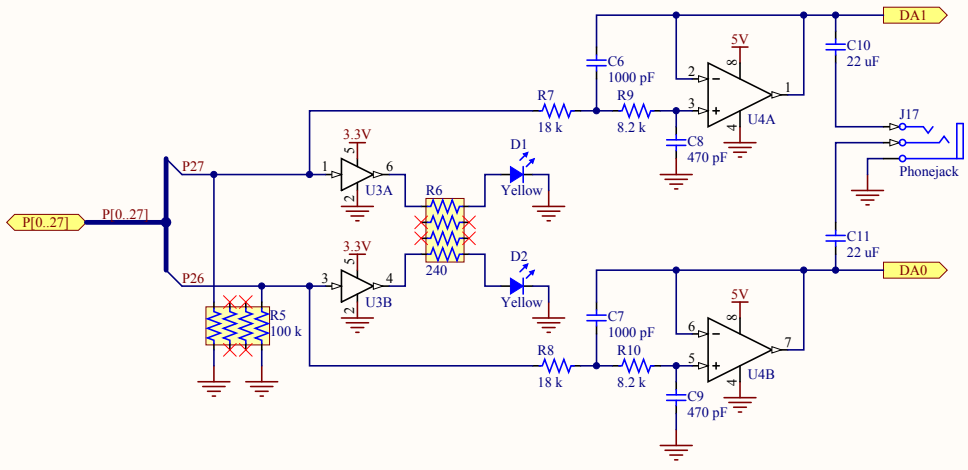
Title		
<b>Propeller Board of Education</b>		
Size	Number	Revision
Letter	<b>32900</b>	<b>A</b>
Date:	3/22/2012	Sheet 1 of 14
File:	L:\Products\...\PropBOE.SchDoc	Drawn By:



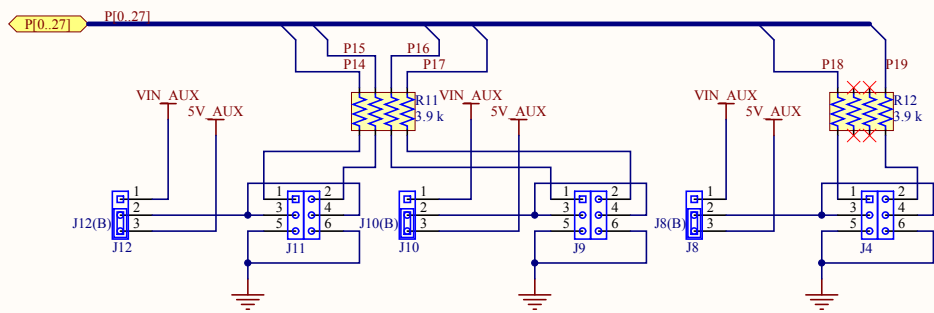
Title		
<b>Propeller Board of Education</b>		
Size	Number	Revision
Letter	<b>32900</b>	<b>A</b>
Date:	3/22/2012	Sheet 2 of 14
File:	E:\Products\ADC.SchDoc	Drawn By:



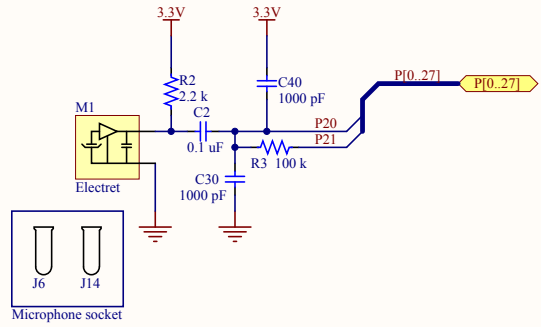
Title			<b>Propeller Board of Education</b>		
Size	Number			Revision	
Letter	<b>32900</b>			<b>A</b>	
Date:	3/22/2012	Sheet 3 of 14			
File:	L:\Products\...\Breadboard.SchDoc		Drawn By:		



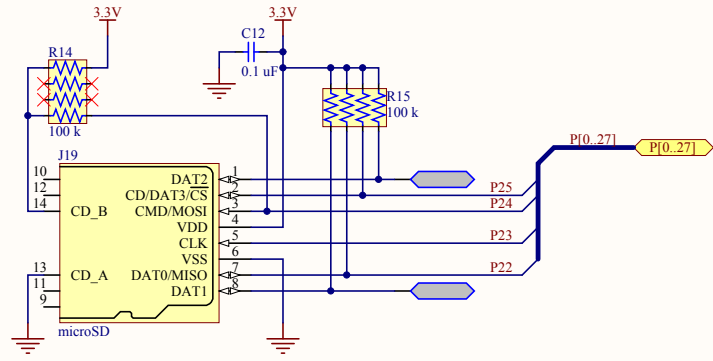
Title			<b>Propeller Board of Education</b>		
Size	Number				Revision
Letter	<b>32900</b>				<b>A</b>
Date:	3/22/2012	Sheet 4 of 14		Drawn By:	
File:	L:\Products\...\DAC.SchDoc				



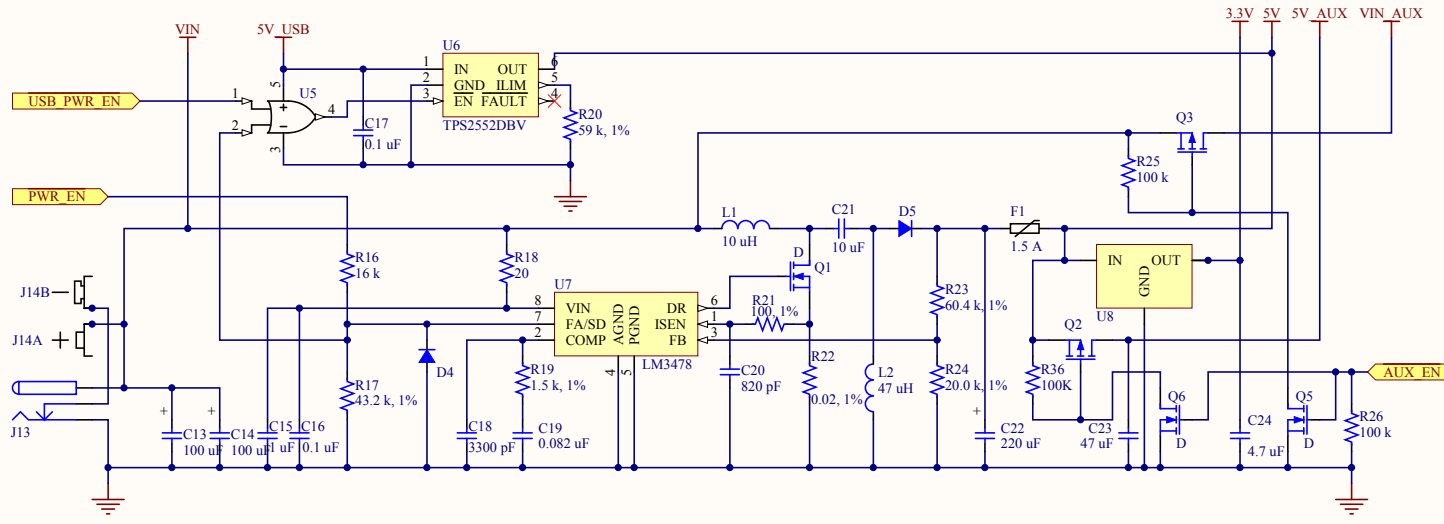
Title			<b>Propeller Board of Education</b>		
Size	Number	Revision			
Letter	<b>32900</b>	<b>A</b>			
Date:	3/22/2012	Sheet 5 of 14		Drawn By:	
File:	L:\Products\...\Headers.SchDoc				



Title			<b>Propeller Board of Education</b>		
Size	Number	Revision			
Letter	<b>32900</b>	<b>A</b>			
Date:	3/22/2012	Sheet 6 of 14		Drawn By:	
File:	L:\Products\...\Microphone.SchDoc				

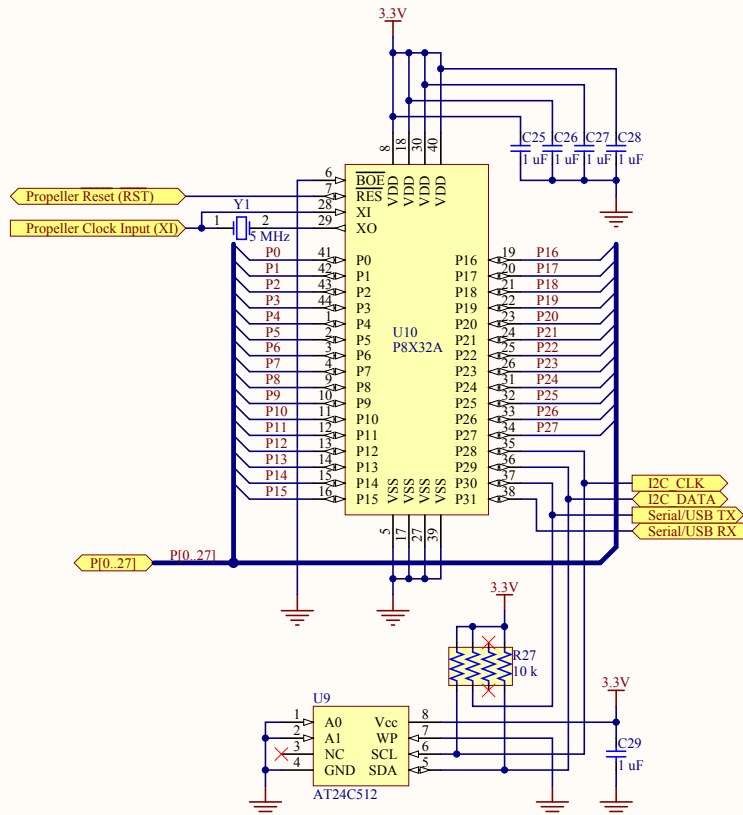


Title			<b>Propeller Board of Education</b>		
Size	Number			Revision	
Letter	<b>32900</b>			<b>A</b>	
Date:	3/22/2012	Sheet 7 of 14			
File:	L:\Products\...\MicroSD.SchDoc		Drawn By:		

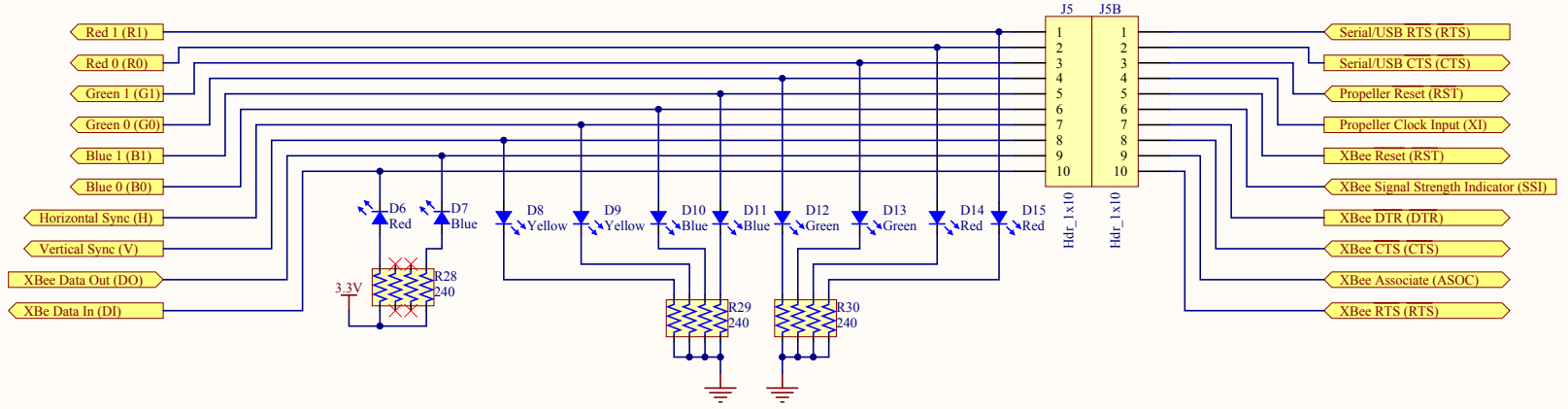


Title			Propeller Board of Education		
Size	Number		Revision		
Letter	32900		A		
Date:	3/22/2012		Sheet 8 of 14		
File:	L:\Products\...\Power.SchDoc		Drawn By:		

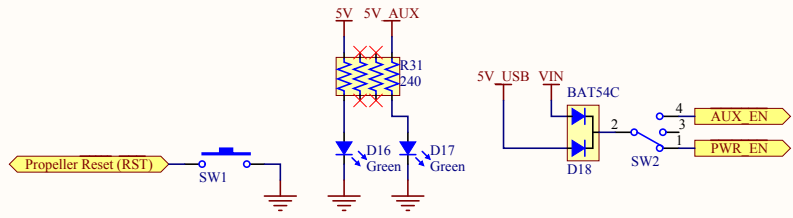




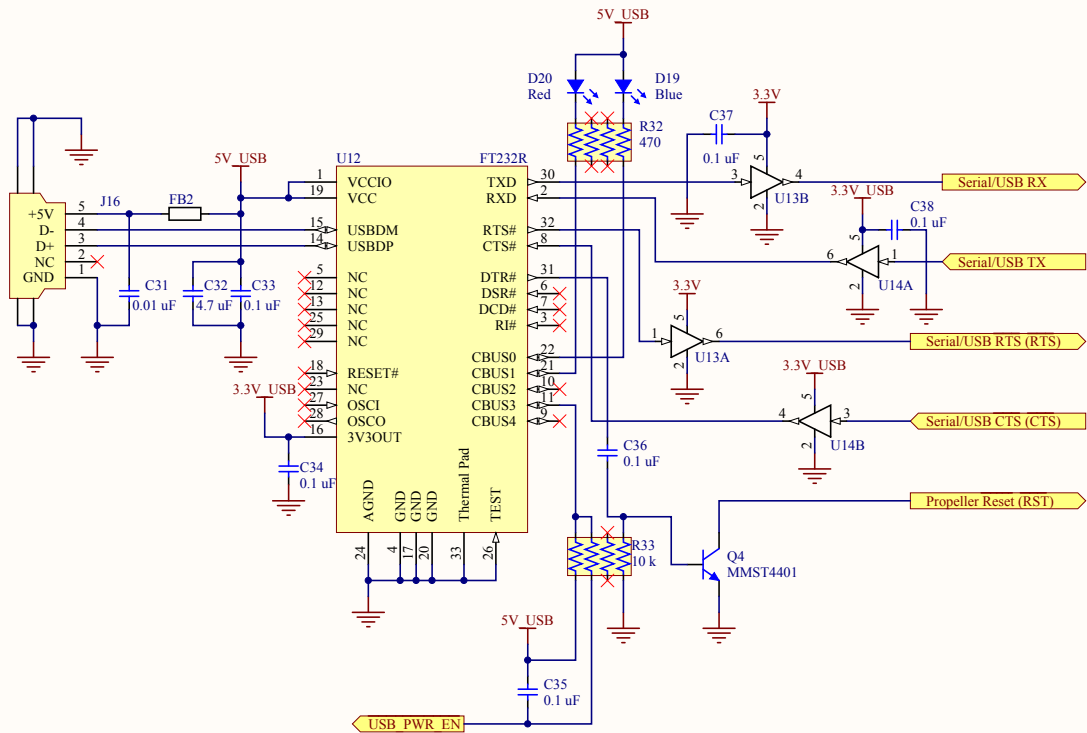
Title			<b>Propeller Board of Education</b>		
Size	Number			Revision	
Letter	<b>32900</b>			<b>A</b>	
Date:	3/22/2012	Sheet 9 of 14		Drawn By:	
File:	L:\Products\...\Propeller.SchDoc				



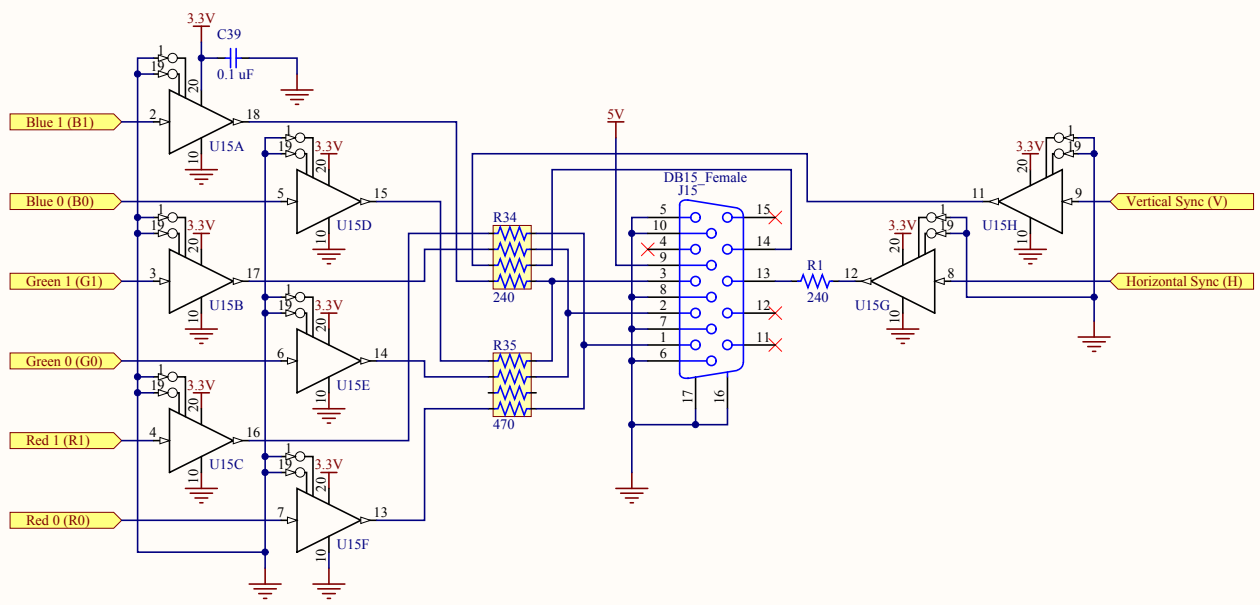
Title			<b>Propeller Board of Education</b>		
Size	Number			Revision	
Letter	<b>32900</b>			<b>A</b>	
Date:	3/22/2012	Sheet 1 of 14			
File:	L:\Products\...\Socket.SchDoc		Drawn By:		



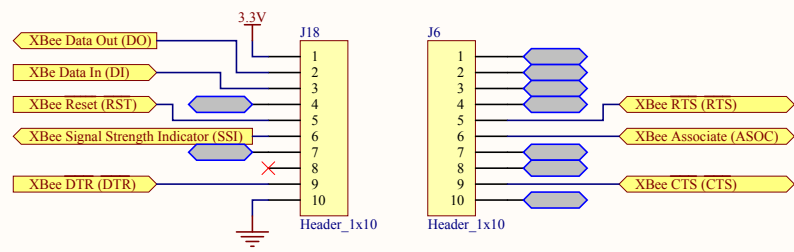
Title			<b>Propeller Board of Education</b>		
Size	Number			Revision	
Letter	<b>32900</b>			<b>A</b>	
Date:	3/22/2012	Sheet 1 of 14			
File:	L:\Products\Switch.SchDoc		Drawn By:		



Title			<b>Propeller Board of Education</b>		
Size	Number				Revision
Letter	<b>32900</b>				<b>A</b>
Date:	3/22/2012			Sheet12 of 14	
File:	E:\Products\...\USB.SchDoc		Drawn By:		



Title			<b>Propeller Board of Education</b>		
Size	Number			Revision	
Letter	<b>32900</b>			<b>A</b>	
Date:	3/22/2012	Sheet 13 of 14			
File:	L:\Products\...\VGA.SchDoc	Drawn By:			



Title			<b>Propeller Board of Education</b>		
Size	Number	Revision			
Letter	<b>32900</b>	<b>A</b>			
Date:	3/22/2012	Sheet 4 of 14			
File:	E:\Products\...\XBee.SchDoc	Drawn By:			